

UniStream® Display

Technical Specifications
USL-050-B05, USL-070-B05,
USL-101-B05, USL-156-B05,

This guide provides basic installation information for UniStream® Display models. Displays are compatible with UniStream® PLCs.

Technical specifications may be downloaded from the Unitronics website.

General Description

UniStream® Display models comprise resistive color touch-screens that support VNC client, and are available in different dimensions.

Via VNC, UniStream® PLCs can access Displays to show HMI screens.

In addition to HMI screens, Displays support UniApps™, a built-in system that enables the user to access communication settings, and manage the device.

Installation Guides are available in the Unitronics Technical Library at www.unitronicsplc.com.

Power Supply	USL-050-B05	USL-070-B05	USL-101-B05	USL-156-B05
Input voltage	12VDC or 24VDC			
Permissible range	10.2VDC to 28.8VDC			
Max. current consumption	0.7A@12VDC 0.4A@24VDC	0.79A@12VDC 0.49A@24VDC	0.85A@12VDC 0.52A@24VDC	1.54A@12VDC 0.8A@24VDC
Isolation	None			

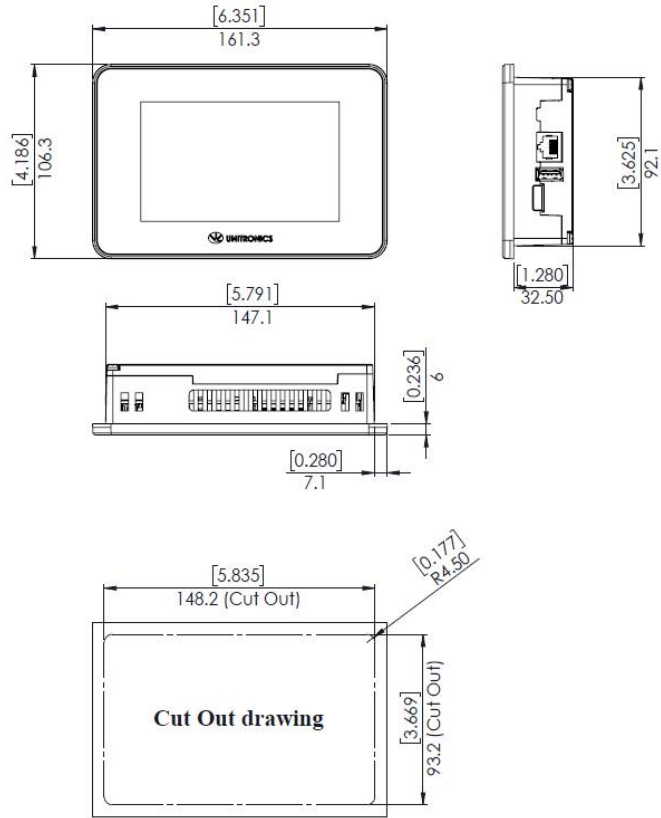
Display	USL-050-B05	USL-070-B05	USL-101-B05	USL-156-B05
LCD type	TFT			
Backlight type	White LED			
Luminous intensity (brightness)	Typically 350 nits (cd/m ²), at 25°C	Typically 400 nits (cd/m ²), at 25°C	Typically 300 nits (cd/m ²), at 25°C	Typically 400 nits (cd/m ²), at 25°C
Backlight longevity ⁽¹⁾	30k hours			
Resolution (pixels)	800 x 480 (WVGA)		1024 x 600 (WSVGA)	1366 x 768
Size	5"	7"	10.1"	15.6"
Viewing area Width x Height	108 x 64.8 (mm)	154.08 x 85.92 (mm)	222.72 x 125.28 (mm)	344.23 x 193.53 (mm)
Color support	65,536 (16bit)			16M (24bit)
Surface treatment	Anti-glare			
Touch screen	Resistive Analog			
Actuation force (min)	> 80 g (0.176 lb)			

Communication (Built-in Ports)	
Ethernet port	
Number of ports	1 (2 ports at USL-156-B05)
Port type	10/100 Base-T (RJ45)
Auto crossover	Yes
Auto negotiation	Yes
Isolation voltage	500VAC for 1 minute
USB host	
Number of ports	1 (2 ports at USL-156-B05)
Port type	Type A
Data rate	USB 2.0 (480Mbps)
Isolation	None
Cable	USB 2.0 compliant; < 3 m (9.84 ft)
Over current protection	Yes

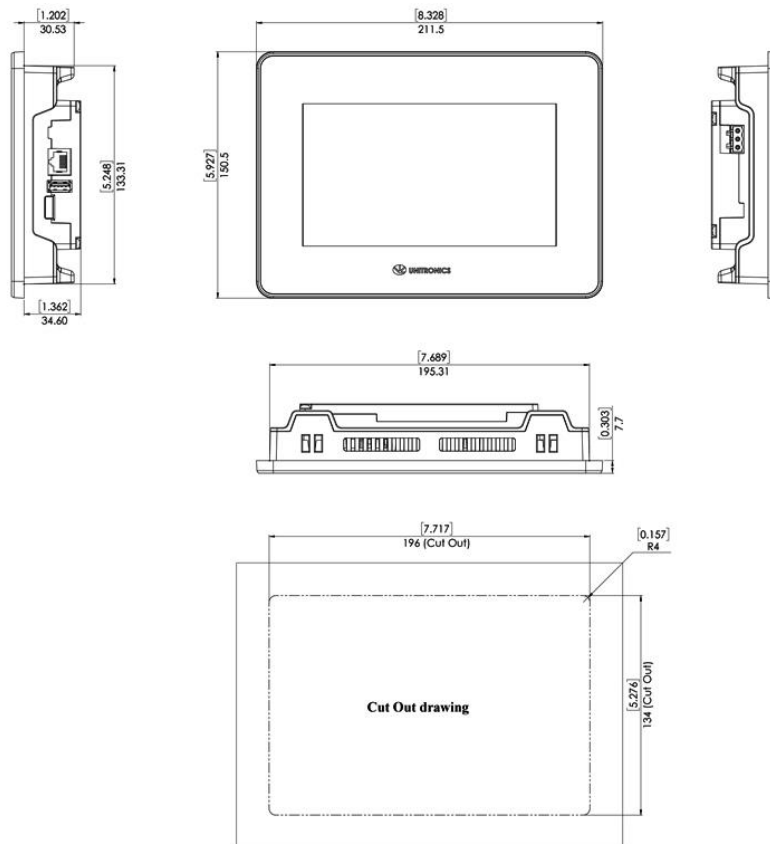
Environmental	
Protection	Front face : IP65/66, NEMA 4X Rear side: IP20, NEMA1
Operating temperature	-20°C to 55°C (-4°F to 131°F)
Storage temperature	-30°C to 70°C (-22°F to 158°F)
Relative Humidity (RH)	5% to 95% (non-condensing)
Operating Altitude	2,000 m (6,562 ft)
Shock	IEC 60068-2-27, 15G, 11ms duration
Vibration	IEC 60068-2-6, 5Hz to 8.4Hz, 3.5mm constant amplitude, 8.4Hz to 150Hz, 1G acceleration

Dimensions		
	Weight	Size
USL-050-B05	0.28 Kg (1.32 lb)	Refer to the images on page 3
USL-070-B05	0.6 Kg (0.62 lb)	Refer to the images on page 3
USL-101-B05	1 Kg (2.2 lb)	Refer to the images on page 4
USL-156-B05	2.9 Kg (6.4 lb)	Refer to the images on page 5

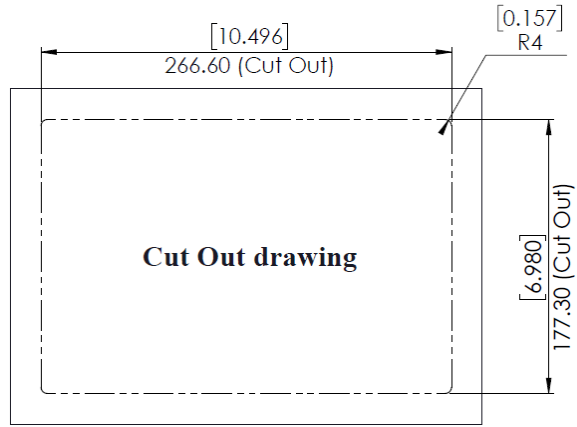
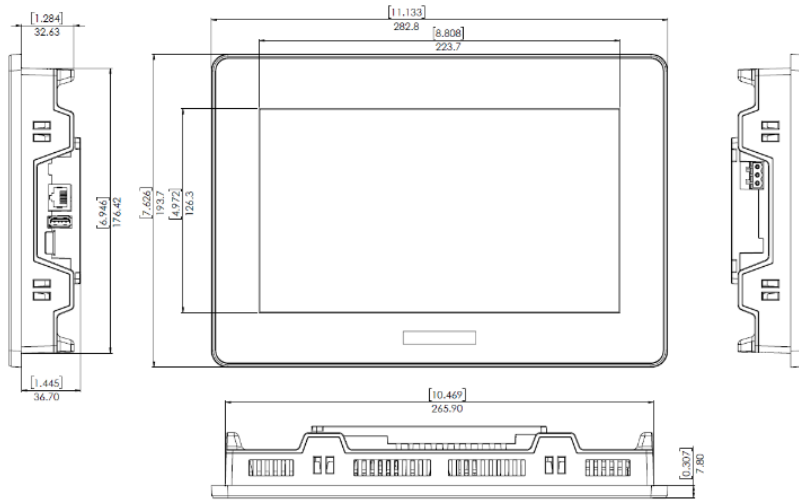
USL-050-B05



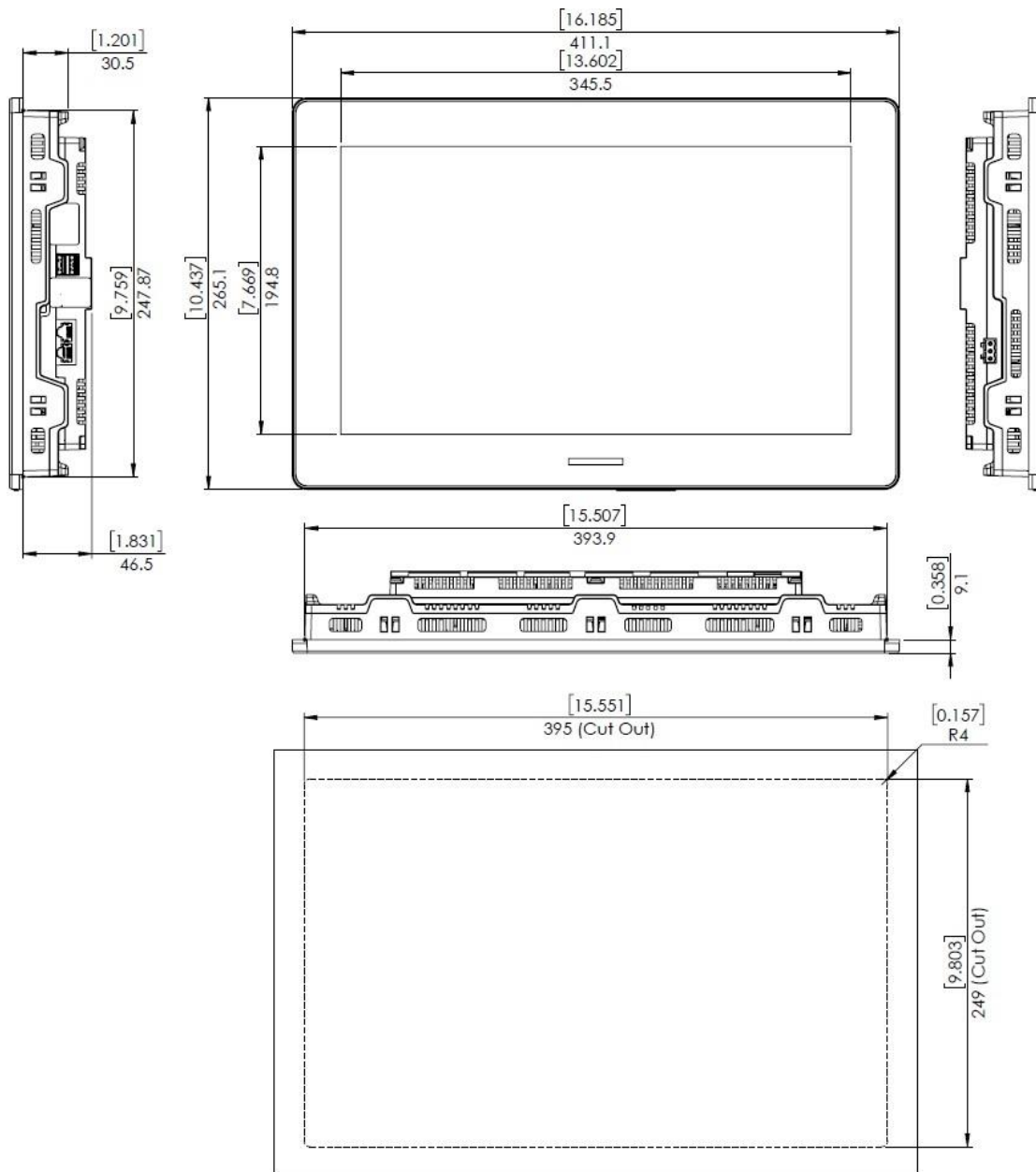
USL-070-B05



USL-104-B05



USL-156-B05

**Notes:**

1. The HMI panel's backlight longevity is the typical operating time after which the brightness drops to 50% of its original level.

The information in this document reflects products at the date of printing. Unitronics reserves the right, subject to all applicable laws, at any time, at its sole discretion, and without notice, to discontinue or change the features, designs, materials and other specifications of its products, and to either permanently or temporarily withdraw any of the forgoing from the market.

All information in this document is provided "as is" without warranty of any kind, either expressed or implied, including but not limited to any implied warranties of merchantability, fitness for a particular purpose, or non-infringement. Unitronics assumes no responsibility for errors or omissions in the information presented in this document. In no event shall Unitronics be liable for any special, incidental, indirect or consequential damages of any kind, or any damages whatsoever arising out of or in connection with the use or performance of this information.

The tradenames, trademarks, logos and service marks presented in this document, including their design, are the property of Unitronics (1989) (R"G) Ltd. or other third parties and you are not permitted to use them without the prior written consent of Unitronics or such third party as may own them.